

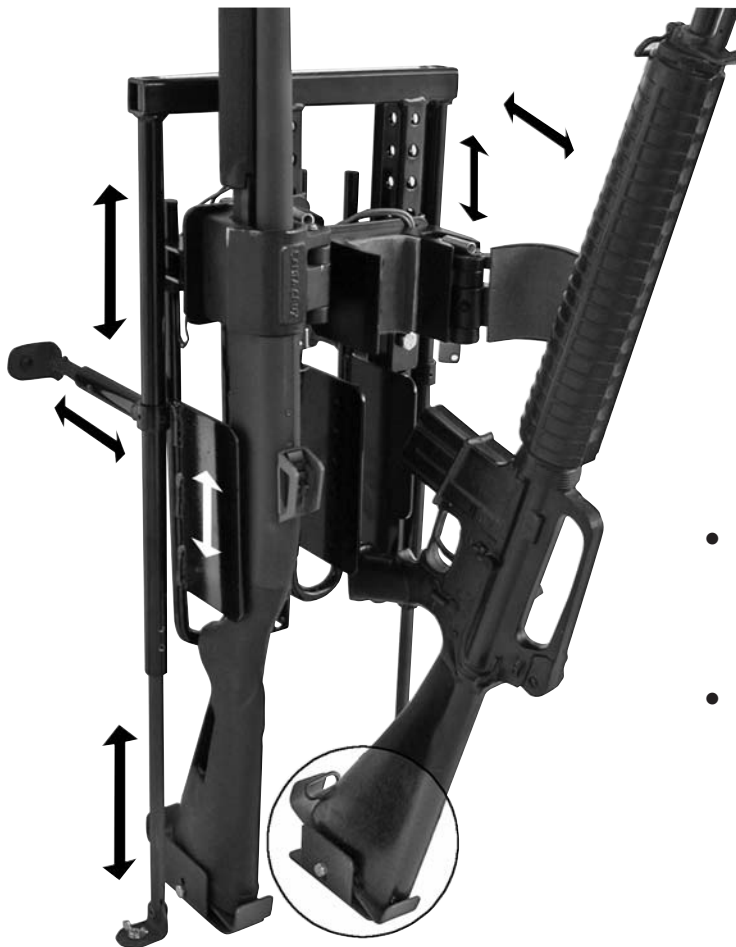


Sage International, Ltd.

GR 2000 Series **Double Wide, Muzzle-Up** **Adjustable Vehicle Gun Rack**



- Secures virtually all barrel length shotguns, AR15/M16 Rifles & SMG's.
- All steel construction.
- Accepts AR15/M16 rifle and shotgun, two shotguns or two AR15/M16 rifles.
- Rust resistant powder coat finish.
- Vertical lock movement and adjustment is made using a simple thru bolt and locking nut.
- Special heavy-duty trigger guard completely covers the entire weapon's trigger and action.
- Fully articulating leg assemblies enable simple installation.
- Rugged construction allows transfer from existing vehicles to newly acquired vehicles.
- AR15/M16 rifles can be secured with magazines in the rifle.



- Sage “Swivel Butt Pad Shoe” compensates for differences in stock pitch and allows the stock to set flat in the shoe, reducing the possibility of theft.
- Telescoping leg members with articulating foot, aid in easy installation.

- Weapon lock position is adjusted using a conventional nut and bolt fastener with 1” upward or downward incremental adjustment.
- Sage “Swivel Butt Pad Shoe” can be adjusted in 1/4” increments upwards or downward.
- Santa Cruz locks are available with key, electric and key/electric activation. All locks are available at additional cost.
- AR15/M16 rifle must have new style round forend to be compatible with lock assemblies.
- Santa Cruz locks which the department has in service can be used if they fit the application.
- AR15/M16 rifles equipped with the specialized light or laser systems are generally compatible with the Sage GR 2000, Double Wide, Muzzle-Up Adjustable Vehicle Gun Rack and the appropriate Santa Cruz locking mechanism.



Sage International, Ltd.

3391 East Eberhardt Street • Oscoda, Michigan 48750

United States of America

Telephone: **989-739-7000**

e-mail: sales@sageinternationallltd.com

Fax: **989-739-7098**